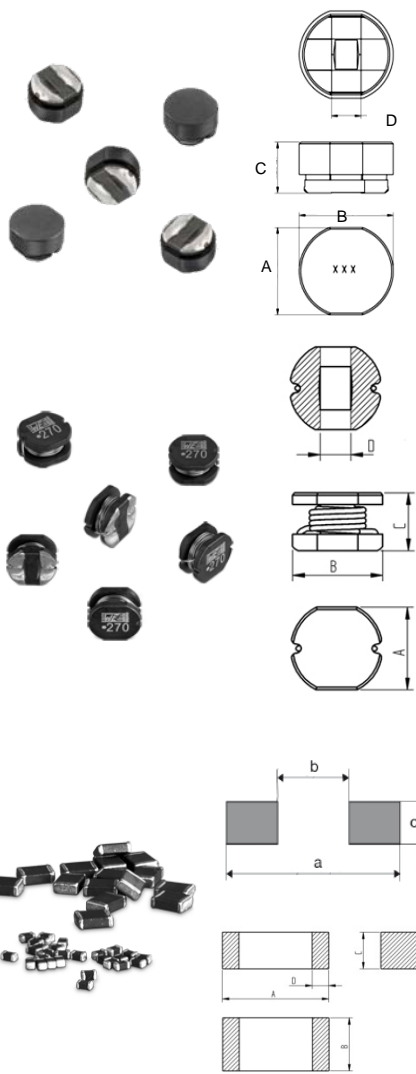
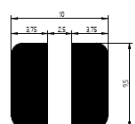


Product Portfolio for Automotive



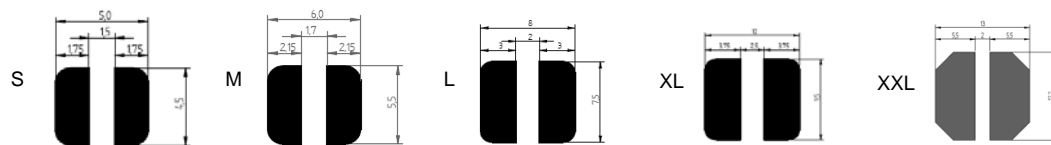
WE-PD2G*

Size	A (mm)	B (mm)	C (mm)	D (mm)	L (μH)	DCR (mΩ)	I (A)	Operating Temperature	AEC-Q200
L	10.5±0.2	11.2±0.2	6.4	0.35	1.5 ~ 47	7.6 ~ 125	1.7 ~ 7.5	-40 °C ~ +135 °C	validation finished



WE-PD2*

Size	A (mm)	B (mm)	C (mm)	D (mm)	L (μH)	DCR (mΩ)	I (A)	Operating Temperature	AEC-Q200
S	4.0±0.3	4.5±0.3	3.2±0.35	1.0	1.00 ~ 68.0	14 ~ 754	0.56 ~ 4.00	-40 °C ~ +125 °C	validation finished
M	5.2±0.3	5.8±0.3	4.5±0.35	2.0	0.33 ~ 220	6 ~ 945	0.42 ~ 10.8		
L	7.0±0.3	7.8±0.3	5.0±0.5	3.0	10.0 ~ 470	44 ~ 1370	0.36 ~ 2.30		
XL	9.0±0.4	10.0±0.4	5.4±0.5	3.5	10.0 ~ 470	28 ~ 969	0.44 ~ 2.98		
XXL	11.0±0.4	12.0±0.4	6.45±0.5	3.5	10.0 ~ 470	30 ~ 850	0.80 ~ 4.30		



WE-CBA*

Size	A (mm)	B (mm)	C (mm)	D (mm)	a (mm)	b (mm)	c (mm)	Z (Ω)	I (A)	Operating Temperature	AEC-Q200
0402	1.0±0.05	0.5±0.05	0.5±0.05	0.2±0.1	1.85 ~ 2.2	0.5	0.6	100 ~ 510	0.2 ~ 0.3	-55 °C ~ +125 °C	validation finished
0603	1.6±0.15	0.8±0.15	0.8±0.15	0.4±0.2	2.4 ~ 2.6	0.7	0.7	62 ~ 1800	0.2 ~ 3.0		
0805	2.0±0.2	1.25±0.2	0.9±0.2	0.5±0.3	3.5 ~ 4.0	1.2	1.0	20 ~ 2000	0.2 ~ 6.0		
1206	3.2±0.2	1.60±0.2	1.1±0.2	0.7±0.3	4.7 ~ 5.2	2.0	1.2	82 ~ 1000	0.3 ~ 4.0		
1806	4.5±0.2	1.60±0.2	1.6±0.2	0.8±0.3	6.0 ~ 6.5	3.0	1.2	56 ~ 82	3.0 ~ 6.0		