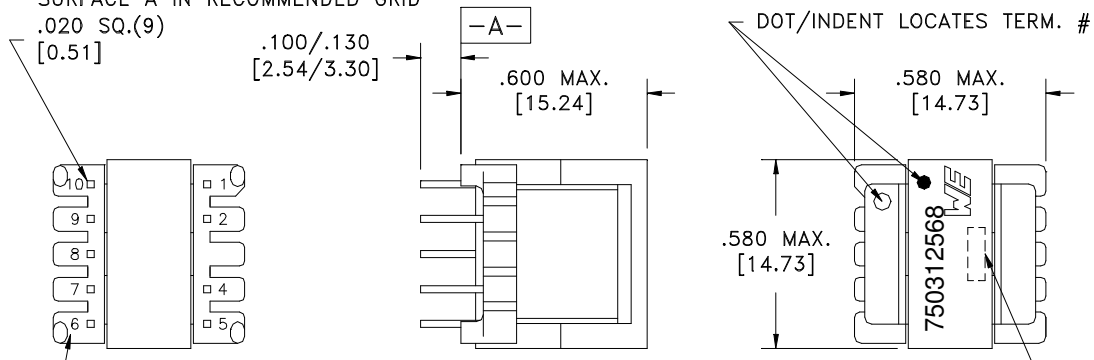


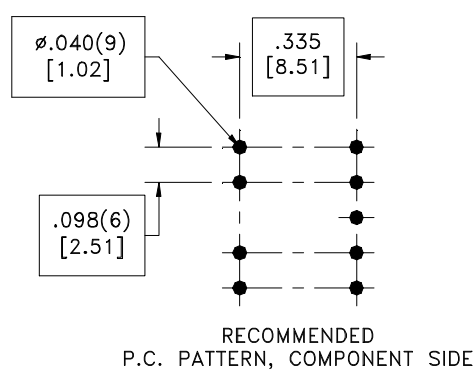
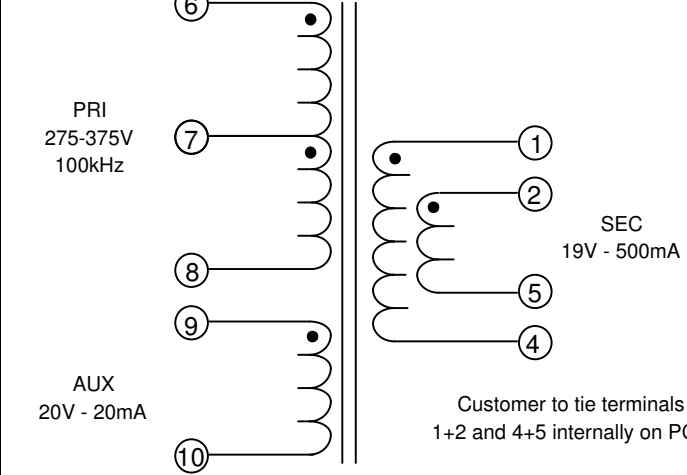
CUSTOMER TERMINAL	RoHS	LEAD(Pb)-FREE
Sn96%, Ag4%	Yes	Yes



PART MUST INSERT FULLY TO SURFACE A IN RECOMMENDED GRID  
.020 SQ.(9)  
[0.51]



TERM NO.'s FOR REF. ONLY



**ELECTRICAL SPECIFICATIONS @ 25°C unless otherwise noted:**

- D.C. RESISTANCE (@20°C):  
1-5 (tie 1+2, 4+5), 0.078 Ohms ±10%.  
6-8, 2.90 Ohms ±10%.  
9-10, 0.520 Ohms ±10%.
- DIELECTRIC RATING:  
4000VAC, 1 minute tested by applying 4000VAC for 1 second between pins 1-10(tie 4+5, 8+9).  
500VAC, 1 minute tested by applying 625VAC for 1 second between pins 6-10.
- INDUCTANCE:  
1.67mH ±10%, 10kHz, 100mVAC, 0mADC, 6-8, Ls.
- SATURATION CURRENT:  
400mA saturating current that causes 20% rolloff from initial inductance.
- LEAKAGE INDUCTANCE:  
13µH typ., 25µH max., 100kHz, 100mVAC, 6-8(tie 1+2+4+5, 9+10), Ls.
- TURNS RATIO:  
(7-8):(6-7), (1):(1.017), ±1%.  
(6-8):(1-4), (7.438):(1), ±1%.  
(6-8):(2-5), (7.438):(1), ±1%.  
(6-8):(9-10), (7):(1), ±1%.

- Functional insulation for a primary circuit at a working voltage of 400VDC.

OPERATING TEMPERATURE RANGE: -40°C to 125°C including temp. rise.

<b>WE-Midcom, Inc.</b> Watertown, SD USA Toll Free: 800-643-2661 Fax: 605-886-4486	Unless otherwise specified, tolerances are as follows: Angles: ±1°      Fractions: ±1/64 Decimals: ±.005(.127mm)		<b>WE-Midcom, Inc.</b>	
	Drawing Title <b>Transformer</b>		Drawing Number <b>750312568</b>	Rev. <b>00</b>
This drawing is dual dimensioned. Dimensions in brackets are in millimeters		Revisions: See Sheet 1		Scale ----      Sheet 2 of 5
Engineer:APS			03/13/2012	