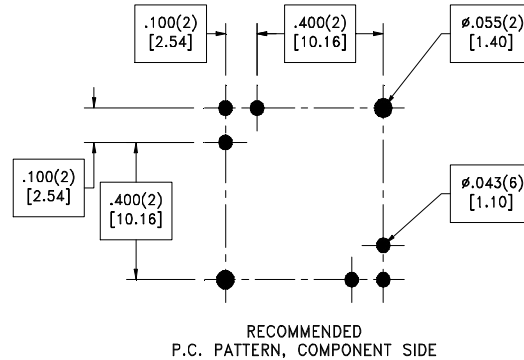
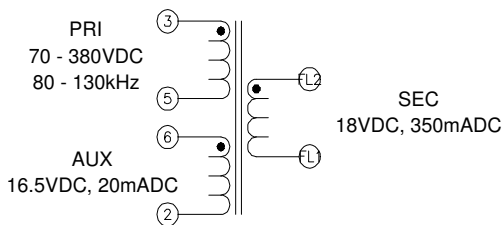
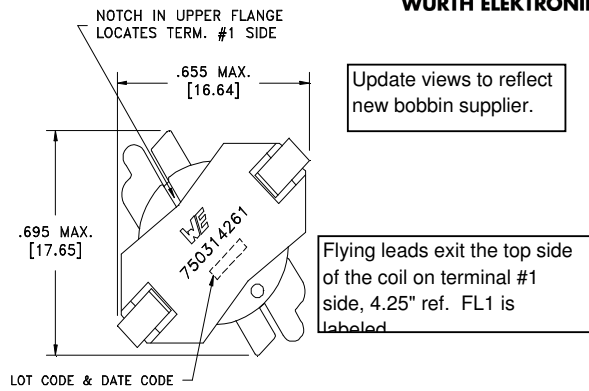
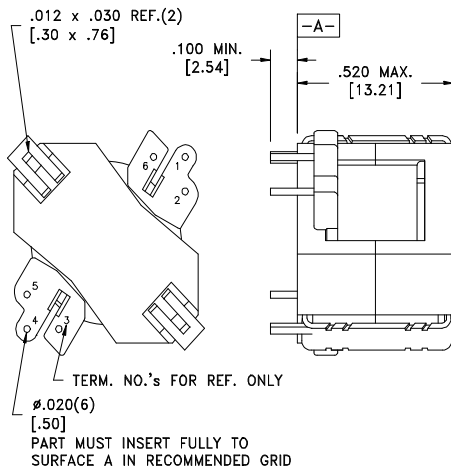


CUSTOMER TERMINAL	RoHS	LEAD(Pb)-FREE
Sn96%, Ag4%	Yes	Yes



ELECTRICAL SPECIFICATIONS @ 25°C unless otherwise noted:

- D.C. RESISTANCE (@20°C):** 3-5 , 1.70 Ohms ±10%.
6-2 , 0.420 Ohms ±10%.
FL2-FL1 , 0.325 Ohms ±10%.
- DIELECTRIC RATING:** 3000VAC, 1 minute tested by applying 3750VAC for 1 second between pins 3-FL2(tie 5+6).
500VDC, 1 minute tested by applying 625VDC for 1 second between pins 3-6.
- INDUCTANCE:** 1.0mH ±10%, 10kHz, 100mVAC, 0mADC, 3-5, Ls.
- SATURATION CURRENT:** 700mADC saturating current that causes 20% rolloff from initial inductance.
- LEAKAGE INDUCTANCE:** 13µH typ, 20µH max., 100kHz, 100mVAC, 3-5(tie 2+6, FL1+FL2), Ls.
- TURNS RATIO:** (3-5):(6-2) , (2.96):(1.00), ±2%.
(3-5):(FL2-FL1) , (2.62):(1.00), ±2%.

OPERATING TEMPERATURE RANGE: -40°C to +125°C including temp rise.

Reference Design

Safety Standard Undefined

Wire insulation & RoHS status not affected by wire color. Wire insulation color may vary depending on availability.

Würth Electronics Midcom Inc. Watertown, SD USA Toll Free: 800-643-2661 Fax: 605-886-4486	Unless otherwise specified, tolerances are as follows: Angles: ±1° Fractions: ±1/64 Decimals: ±.005(.127mm) Footprint: ±.001(.03mm)		more than you expect	
	Drawing Title <h2 style="margin: 0;">Transformer</h2>		Drawing Number <h2 style="margin: 0;">750314261</h2>	Rev. <h2 style="margin: 0;">00</h2>
This drawing is dual dimensioned. Dimensions in brackets are in millimeters		Revisions: See Sheet 1		Scale ---- Spec Sheet 1 of 1

Engineer:EJK

03/10/2014