

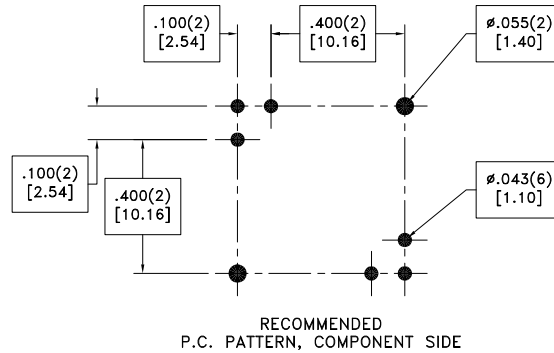
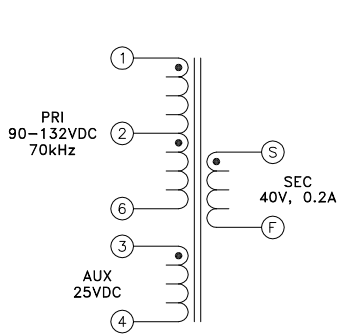
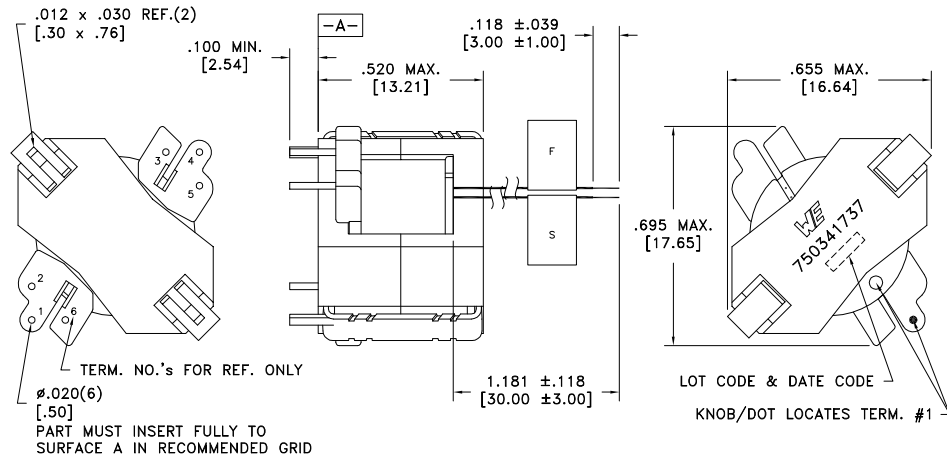
CUSTOMER TERMINAL	RoHS	LEAD(Pb)-FREE
Sn96%, Ag4%	Yes	Yes

more than you expect



ELECTRICAL SPECIFICATIONS @ 25°C unless otherwise noted:

PARAMETER	TEST CONDITIONS	VALUE
D.C. RESISTANCE	1-6 @20°C	2.23 ohms ±10%
D.C. RESISTANCE	3-4 @20°C	0.730 ohms ±10%
D.C. RESISTANCE	S-F @20°C	0.210 ohms ±10%
INDUCTANCE	1-6 50kHz, 100mVAC, Ls	1.5mH ±10%
LEAKAGE INDUCTANCE	1-6 tie(3+4, S+F), 100kHz, 100mVAC, Ls	14.00uH max.
DIELECTRIC	1-S 1250VAC, 1 second	-
URNS RATIO	(1-6):(3-4)	4.11:1, ±2%
URNS RATIO	(1-6):(S-F)	2.85:1, ±2%



GENERAL SPECIFICATIONS:

OPERATING TEMPERATURE RANGE: -25°C to +120°C including temp rise.

Wire insulation & RoHS status not affected by wire color.
Wire insulation color may vary depending on availability.

REV.	DATE	Packaging Specifications Method: Tray PKG-0103 www.we-online.com/midcom		Tolerances unless otherwise specified: Angles: ±1° Fractions: ±1/64 Decimals: ±.005 [.13] Footprint: ±.001 [.03]	DRAWING TITLE TRANSFORMER	PART NO. 750341737
6A	5/13	SEE REVISION SHEET FOR REVISION LEVEL		This drawing is dual dimensioned. Dimensions in brackets are in millimeters.	eiSos p/n: 750341737	SPECIFICATION SHEET 1 OF 1