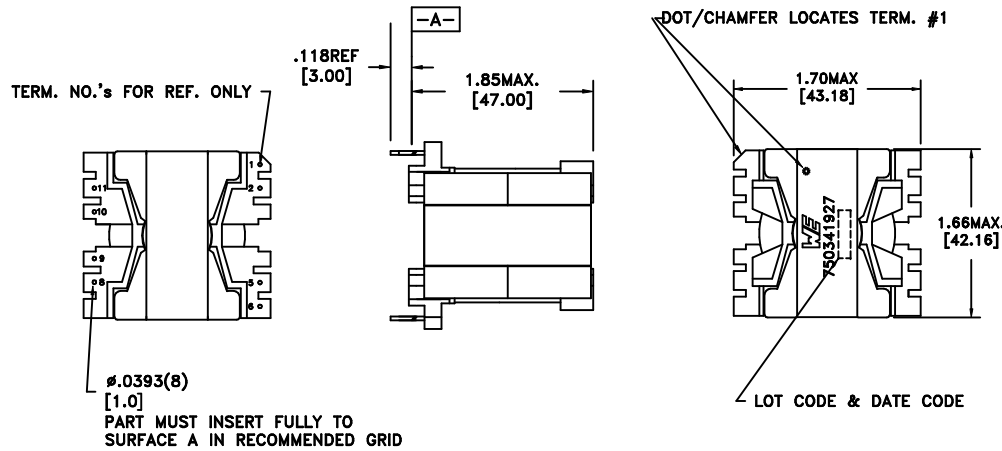


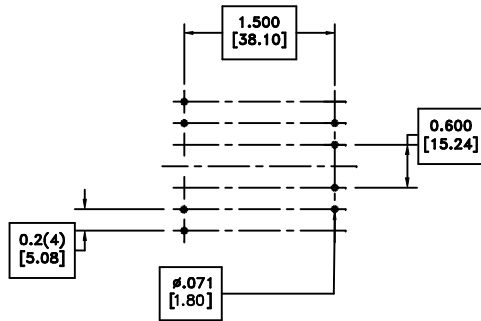
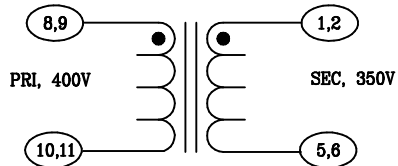
CUSTOMER TERMINAL	RoHS	LEAD(Pb)-FREE
Sn96%, Ag4%	Yes	No

more than you expect



ELECTRICAL SPECIFICATIONS @ 25°C unless otherwise noted:

PARAMETER	TEST CONDITIONS	VALUE
D.C. RESISTANCE	8-10 @20°C, tie(8+9,10+11)	0.133 ohms max .
D.C. RESISTANCE	1-5 @20°C, tie(1+2,5+6)	0.156 ohms max .
INDUCTANCE	8-10 50kHz, 100mVAC, Ls tie(8+9,10+11)	440uH±10%
LEAKAGE INDUCTANCE	8-10 10kHz, 1VAC, Ls tie(1+2+5+6,8+9,10+11)	73.0±10%
DIELECTRIC	1-8 tie(1+2+5+6,8+9+10+11), 3750 VAC, 1 second	-
DIELECTRIC	1-core tie(1+2+5+6), 1800 VAC, 1 second	-
DIELECTRIC	8-core tie(8+9+10+11), 1800 VAC, 1 second	-
URNS RATIO	(8-10):(1-5) tie(8+9,10+11,1+2,5+6)	1.182:1, ±2%



RECOMMENDED P.C. PATTERN, COMPONENT SIDE

GENERAL SPECIFICATIONS:

OPERATING TEMPERATURE RANGE: -40°C to +125°C including temp rise.

Wire insulation & RoHS status not affected by wire color.
Wire insulation color may vary depending on availability.

REV.	DATE	Packaging Specifications	CONVENTION PLACEMENT
		Method: Tape & Reel PKG-TBD www.we-online.com/midcom	
00	06/13	SEE REVISION SHEET FOR REVISION LEVEL	

Tolerances unless otherwise specified:
Angles: ±1° Decimals: ±.005 [.13]
Fractions: ±1/64 Footprint: ±.005 [.13]
This drawing is dual dimensioned. Dimensions in brackets are in millimeters.

DRAWING TITLE
TRANSFORMER

eiSos p/n: 750341927



PART NO.	750341927
SPECIFICATION SHEET	1 OF 1