

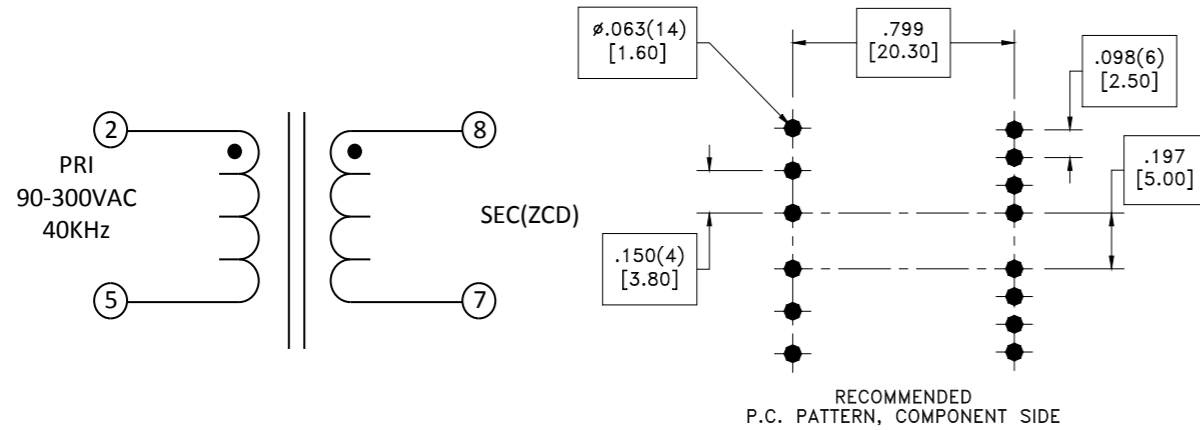
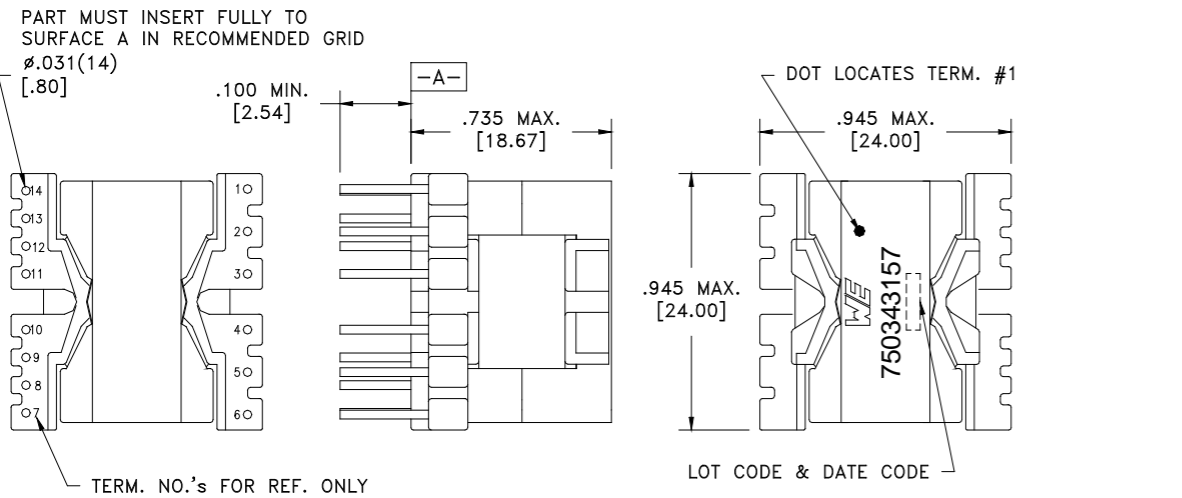
CUSTOMER TERMINAL	RoHS	LEAD(Pb)--FREE
Sn 96%, Ag 4%	Yes	Yes

more than you expect



**ELECTRICAL SPECIFICATIONS @ 25° C unless otherwise noted:**

PARAMETER	TEST CONDITIONS	VALUE
D.C. RESISTANCE	2-5 @20°C	1.120 ohms max.
D.C. RESISTANCE	8-7 @20°C	0.060 ohms max.
INDUCTANCE	2-5 50kHz, 100mV, Ls	1.6mH ±10%
SATURATION CURRENT	2-5 20% rolloff from initial	1.20A
LEAKAGE INDUCTANCE	2-5 tie(7+8),100kHz, 100mV, Ls	70.0µH max.
DIELECTRIC	2-8 1875VAC, 1 second	
URNS RATIO	(2-5):(8-7)	9.6:1, ±2%



**GENERAL SPECIFICATIONS:**

OPERATING TEMPERATURE RANGE: -40°C to +125°C including temp rise.

Wire insulation & RoHS status not affected by wire color. Wire insulation color may vary depending on availability.

DFM		Packaging Specifications		Tolerances unless otherwise specified: Angles: $\pm 1^\circ$ Decimals: $\pm .005$ [.13] Fractions: $\pm 1/64$ Footprint: $\pm .001$ [.03]	DRAWING TITLE	PART NO.
DATE		Method: Tray				
ENG	YGD	PKG-1040	This drawing is dual dimensioned. Dimensions in brackets are in millimeters.	SPECIFICATION SHEET 1 OF 1		
REV.	00					
DATE	1/27/2016	www.we-online.com/midcom				