

CUSTOMER TERMINAL	RoHS	LEAD(Pb)--FREE
Sn 96%, Ag 4%	Yes	Yes

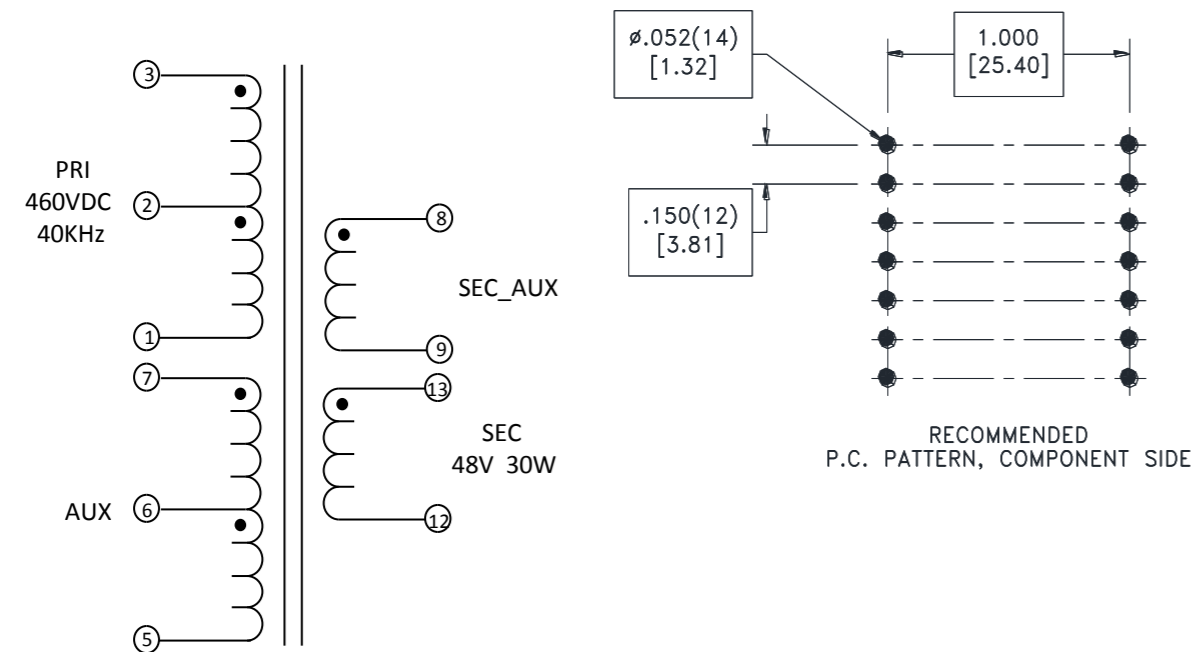
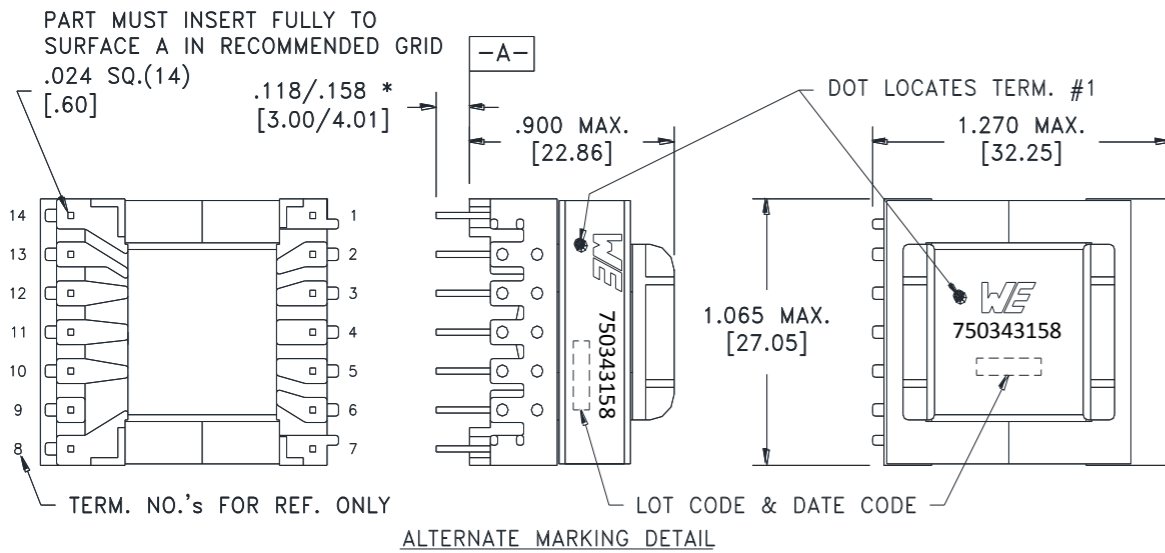
more than you expect



ELECTRICAL SPECIFICATIONS @ 25° C unless otherwise noted:

PARAMETER	TEST CONDITIONS	VALUE
D.C. RESISTANCE	3-1 @20°C	6.250 ohms max.
D.C. RESISTANCE	7-5 @20°C	2.300 ohms max.
D.C. RESISTANCE	8-9 @20°C	0.400 ohms max.
D.C. RESISTANCE	13-12 @20°C	0.180 ohms max.
INDUCTANCE	3-1 50kHz, 100mV, Ls	4.0mH ±10%
SATURATION CURRENT	3-1 20% rolloff from initial	0.70A
LEAKAGE INDUCTANCE	3-1 tie(5+6+7+8+9+12+13), 100kHz, 100mV, Ls	30.0µH typ., 45.0µH max.
DIELECTRIC	1-13 tie(3+5,9+12), 3750VAC, 1 second	
DIELECTRIC	13-core tie(9+12), 3750VAC, 1 second	
TURNS RATIO	(3-1):(7-6)	4.21:1, ±2%
TURNS RATIO	(3-1):(6-5)	27.33:1, ±2%
TURNS RATIO	(3-1):(8-9)	27.33:1, ±2%
TURNS RATIO	(3-1):(13-12)	3.35:1, ±2%

* DIMENSION MAY BE EXCEEDED WITH SOLDER ONLY



GENERAL SPECIFICATIONS:

OPERATING TEMPERATURE RANGE: -40°C to +125°C including temp rise.
 Designed to comply with the following requirements as defined by IEC60950-1,
 - Reinforced insulation for a primary circuit at a working voltage of 460Vpeak, Overvoltage Category II.

Wire insulation & RoHS status not affected by wire color. Wire insulation color may vary depending on availability.

DFM		Packaging Specifications	 CONVENTION PLACEMENT	Tolerances unless otherwise specified: Angles: ±1° Decimals: ±.005 [.13] Fractions: ±1/64 Footprint: ±.001 [.03]	DRAWING TITLE	PART NO.
DATE		Method: Tray		This drawing is dual dimensioned. Dimensions in brackets are in millimeters.	TRANSFORMER	750343158
ENG	YGD	PKG-0737				
REV.	01					
DATE	4/12/2016	www.we-online.com/midcom				SPECIFICATION SHEET 1 OF 1