

Würth Elektronik ICS GmbH & Co. KG
 Intelligent Connecting Systems
 Zeilbaumweg 15 · 74613 Öhringen · Germany
 Tel. +49 (0) 79 41 92 05-0 · Fax +49 (0) 79 41 92 05-39
 ics@we-online.de · www.we-online.com



Central Electrical Unit

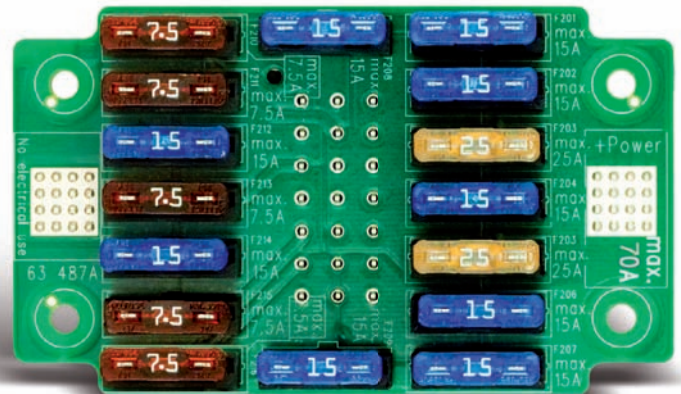
16-0 Module

Ref : 63487A

REDLINE

Features

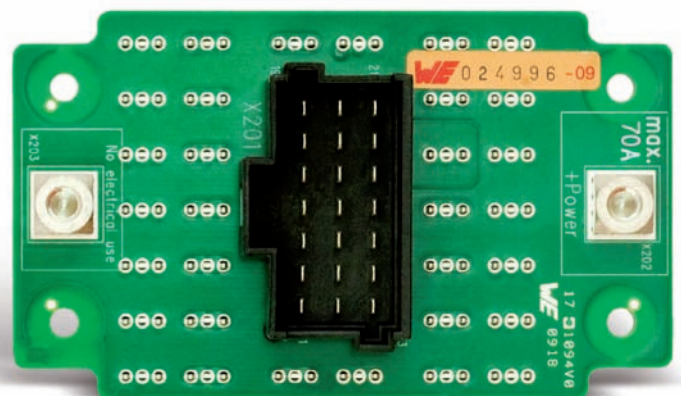
- Power supply 12 or 24 V onto 1 power element (+Power)
- 16 ATO fuseholders (up to 25 A)
- Cable harness connection on the rear side of the module via JPT/MCP compatible, 3 row/ 21 way connector



Front View

Options

- Fuses or circuit breakers
- Frame for modular board assembly



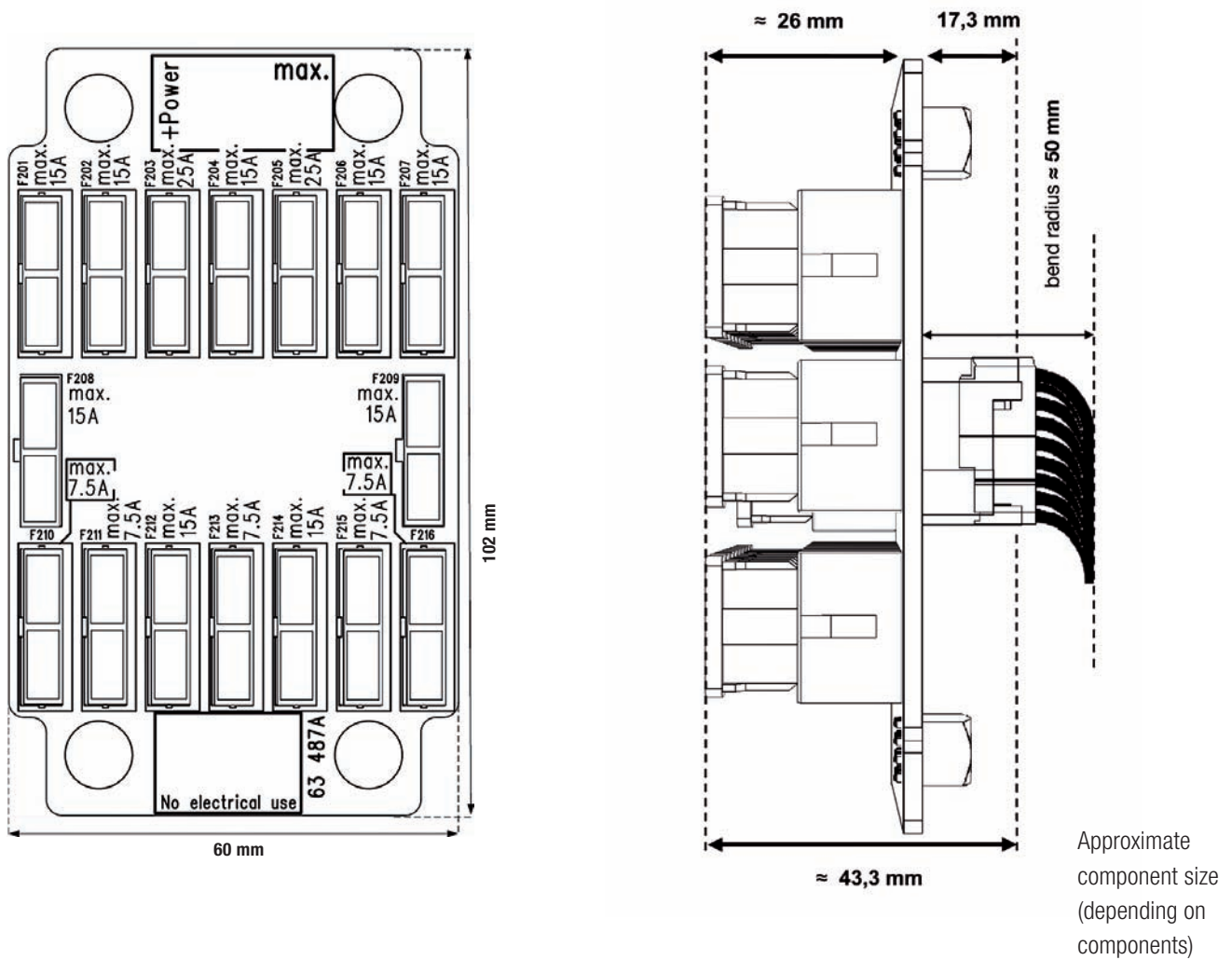
Rear View

Applications

Common functions such as lights, radio, clock, accessories, lightning etc.

Central Electrical Unit 16-0 Module

Dimensions



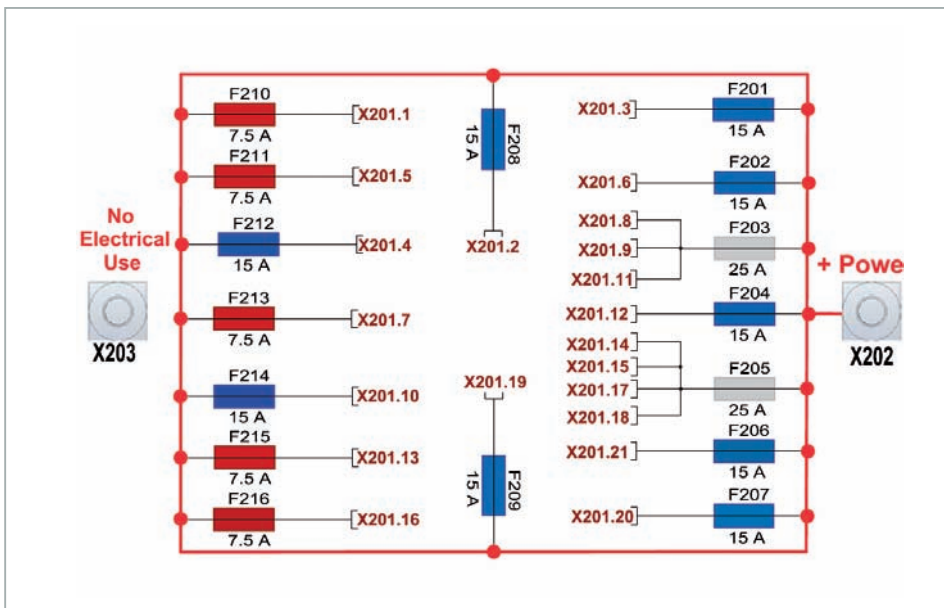
Technical Data

Temperature range	-40°C to +80°C
Max. supply current	Max. 80 A by 65°C ambient Max. 70 A by 80°C ambient
Output connection	JPT/MCP compatible, 3 row/21 way black connector
Input connection (power stud)	Power element female M5 16 pins Max. mounting torque: 2,2 Nm
Recommended wire section*	Current ≤ 15A: 7,5A per mm ² Current > 15A: 5A per mm ²

* Refer to the selected cable specification

Central Electrical Unit 16-0 Module

Electrical Schematic

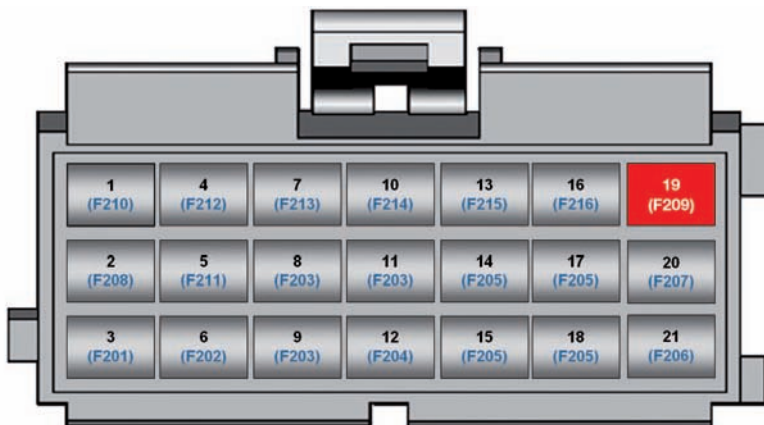


Fuse Rate Table

Fuse connected to +Power	Amperate Max.
5	7.5 A
9	15 A
2	25 A

! Max. current on board should not exceed 70 A

Connector: 1 black JPT 21 (X201)



Female connector required for cable harness connection (view on cable entry)



Male Plug on board

Pin outs on the connector correspond to the associated component on the board. (e.g.: component F209 is connected to pin 19 from connector X201)